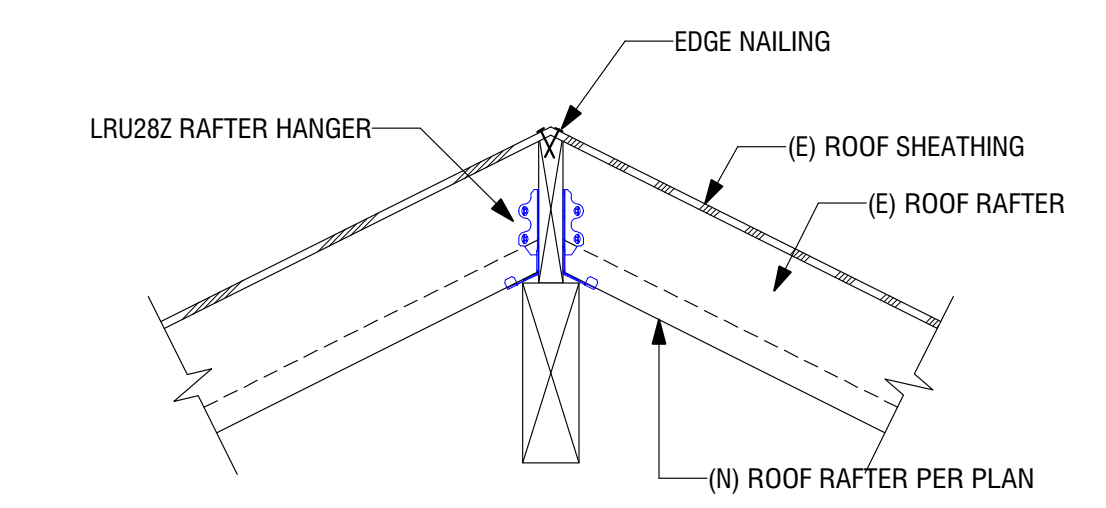
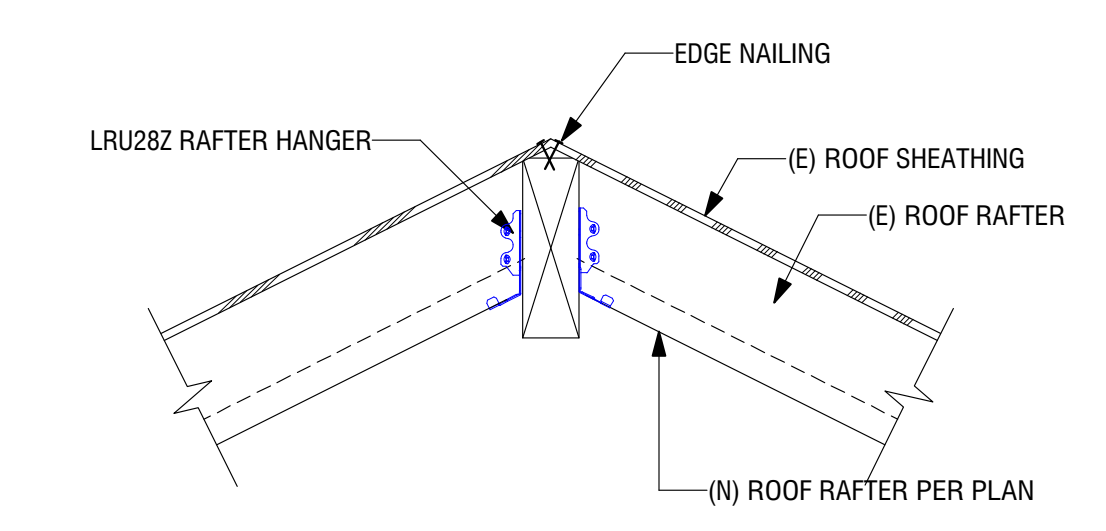


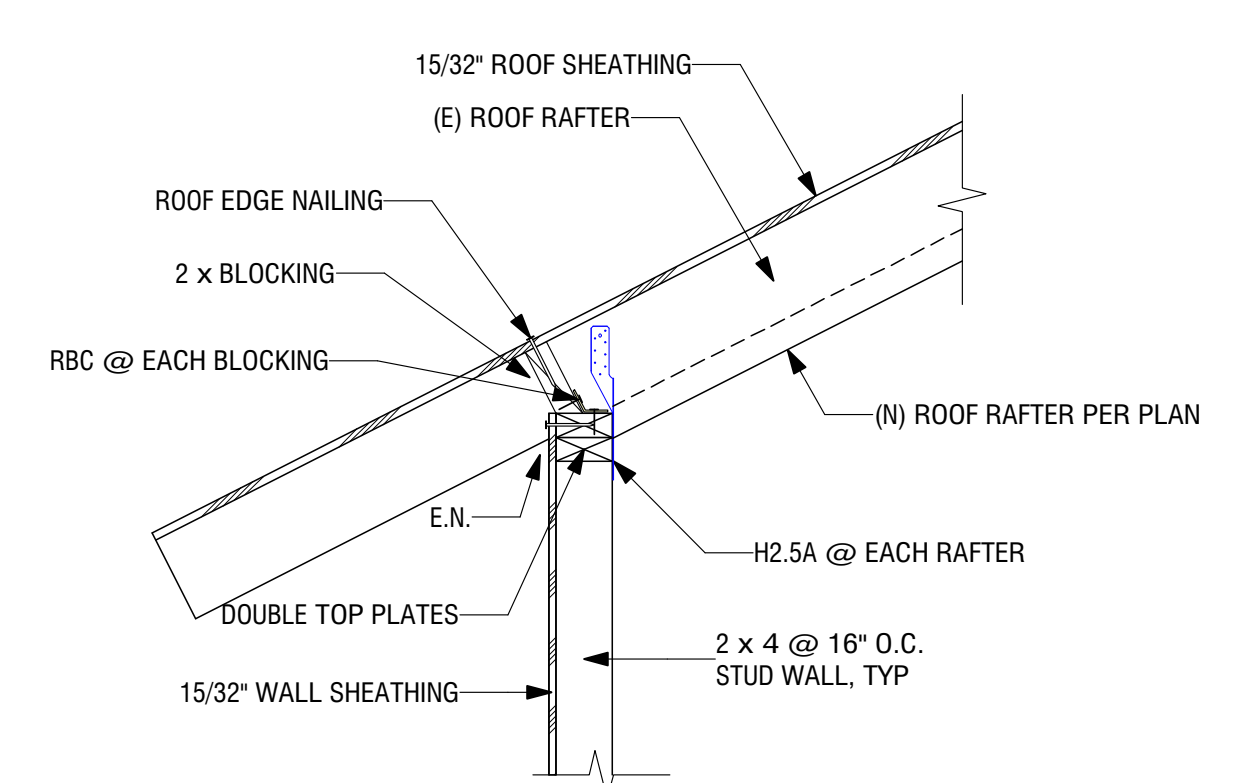
ROOF FRAMING PLAN
Scale: 1/4" = 1'-0"



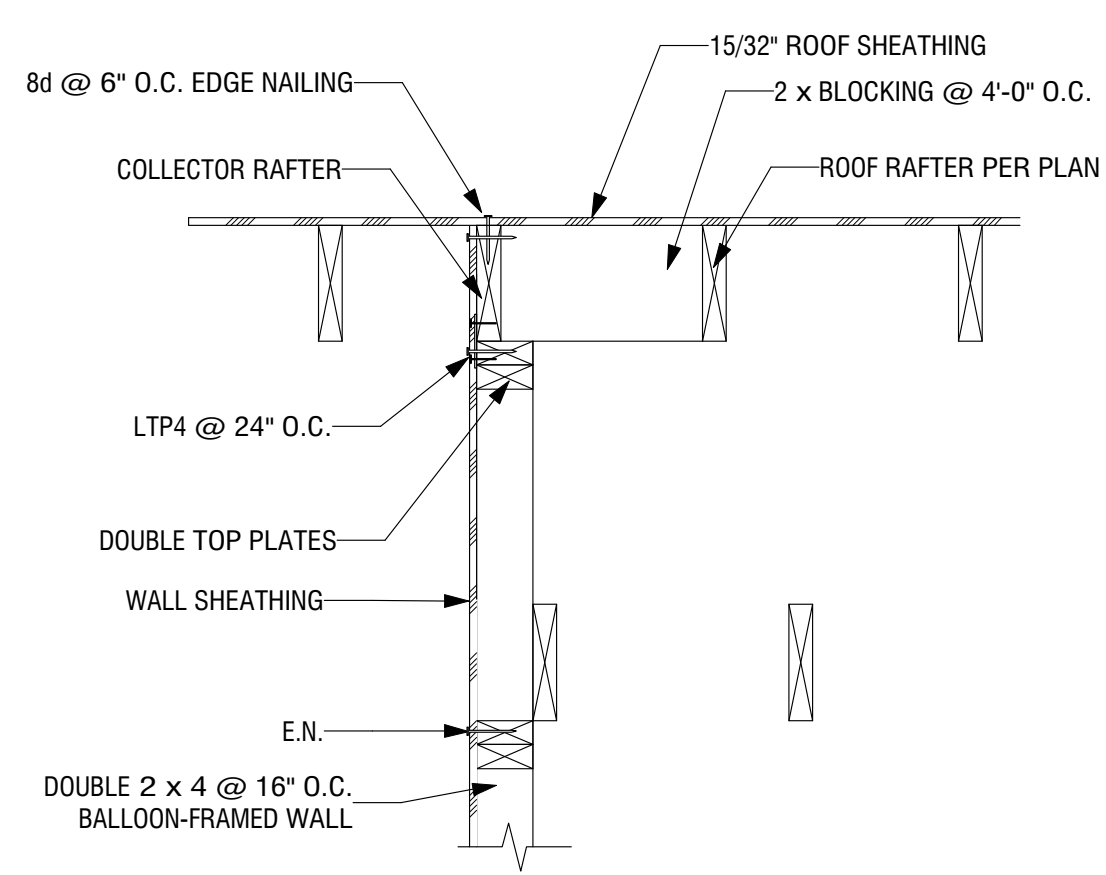
1 RIDGE CONNECTION (OPTION 1)
Scale: 1" = 1'-0"



2 RIDGE CONNECTION (OPTION 2)
Scale: 1" = 1'-0"



3 SHEAR TRANSFER @ ROOF
Scale: 1" = 1'-0"



4 SHEAR TRANSFER @ ROOF
Scale: 1" = 1'-0"

Engineer:
DB ENGINEERING
2021 The Alameda, Suite 360
San Jose, CA 95126
Phone: (408) 621-0114
Email:
db.dbengineering@gmail.com



Designer:
Michael S. Radu
Pacific Blue Developments
35 Colleen Way
Campbell, CA 95008
408-504-6826

Project:
INTERIOR REMODEL

**1137 VIA JOSE
SAN JOSE,
CA 95120**

Job Number:
21256

Date:
December 18, 2021

Revisions:

No.	Description